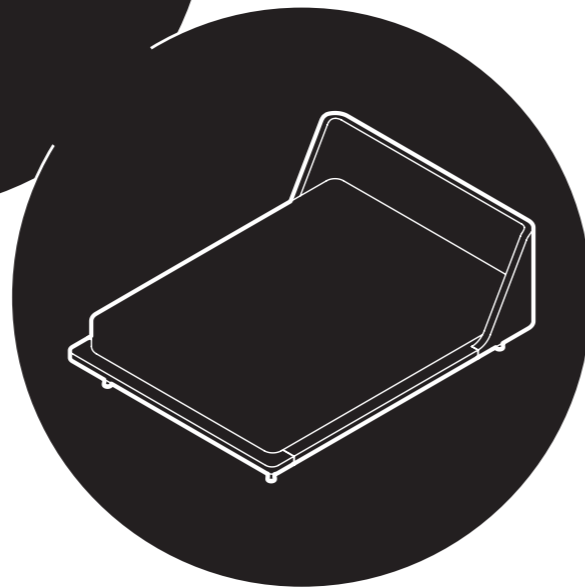


BLU  
DOT

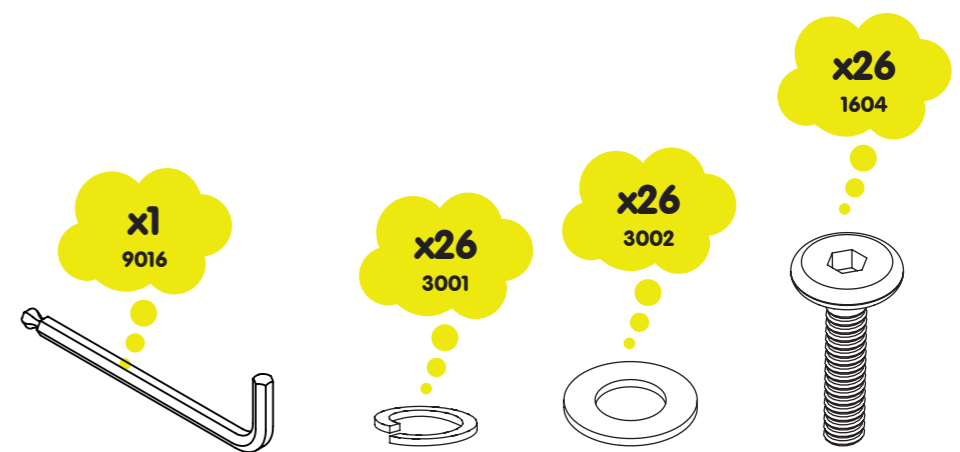
# NOOK

ASSEMBLY NOTES

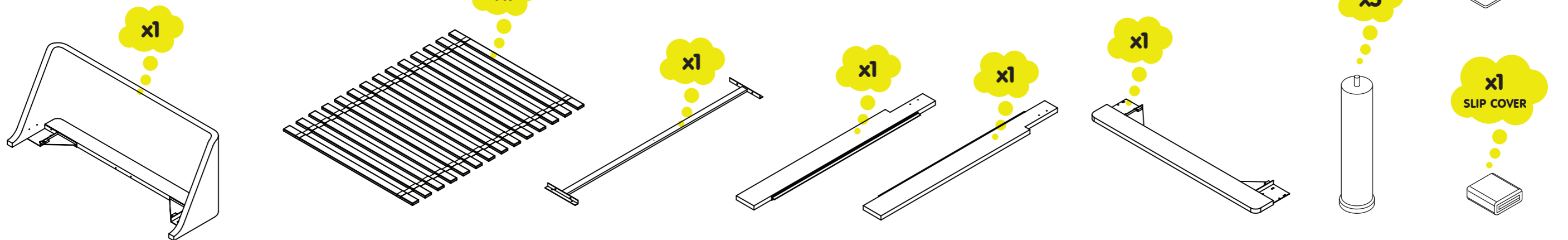
TAKE OFF YOUR  
SHOES AND STAY  
A WHILE!

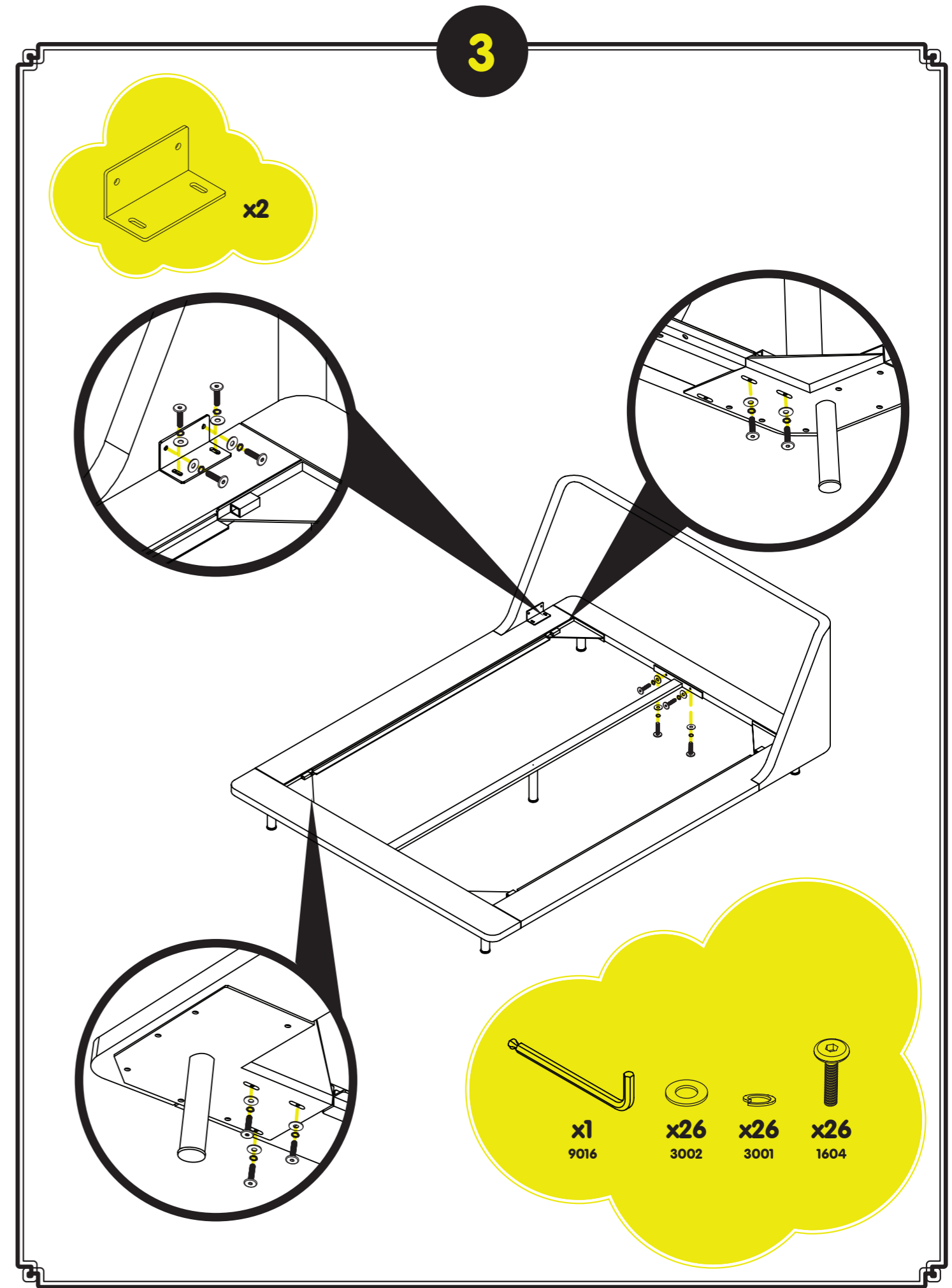
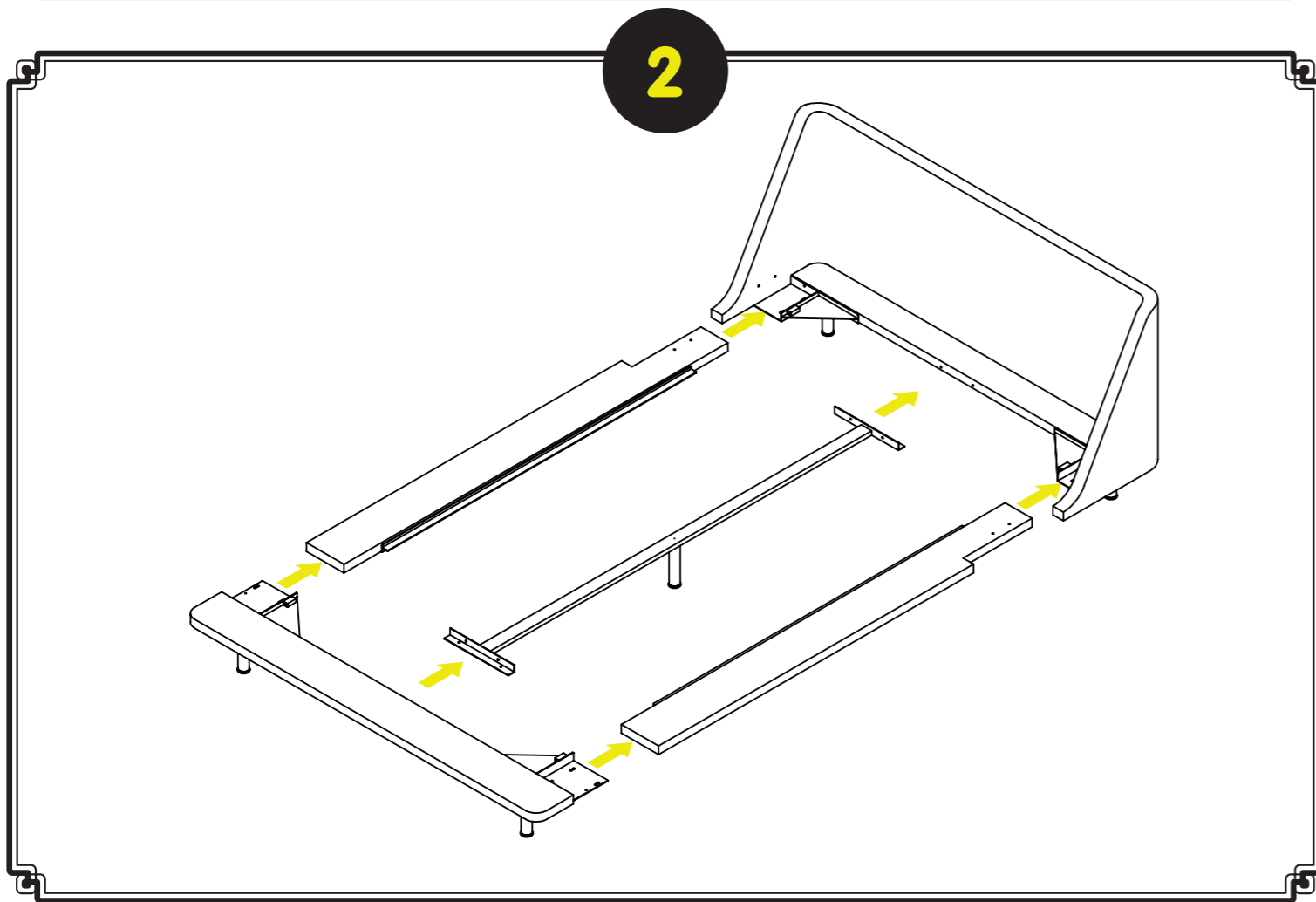
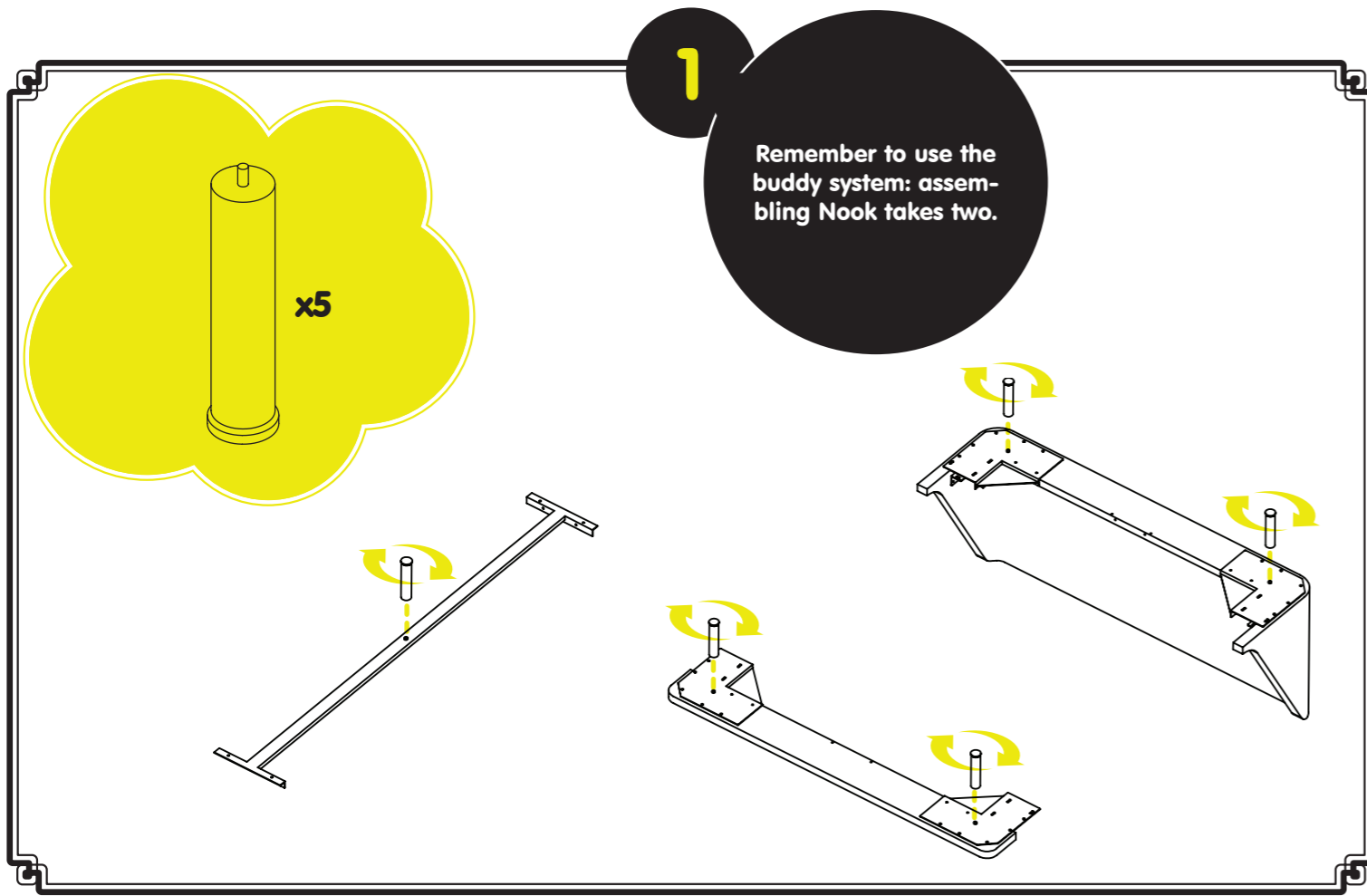


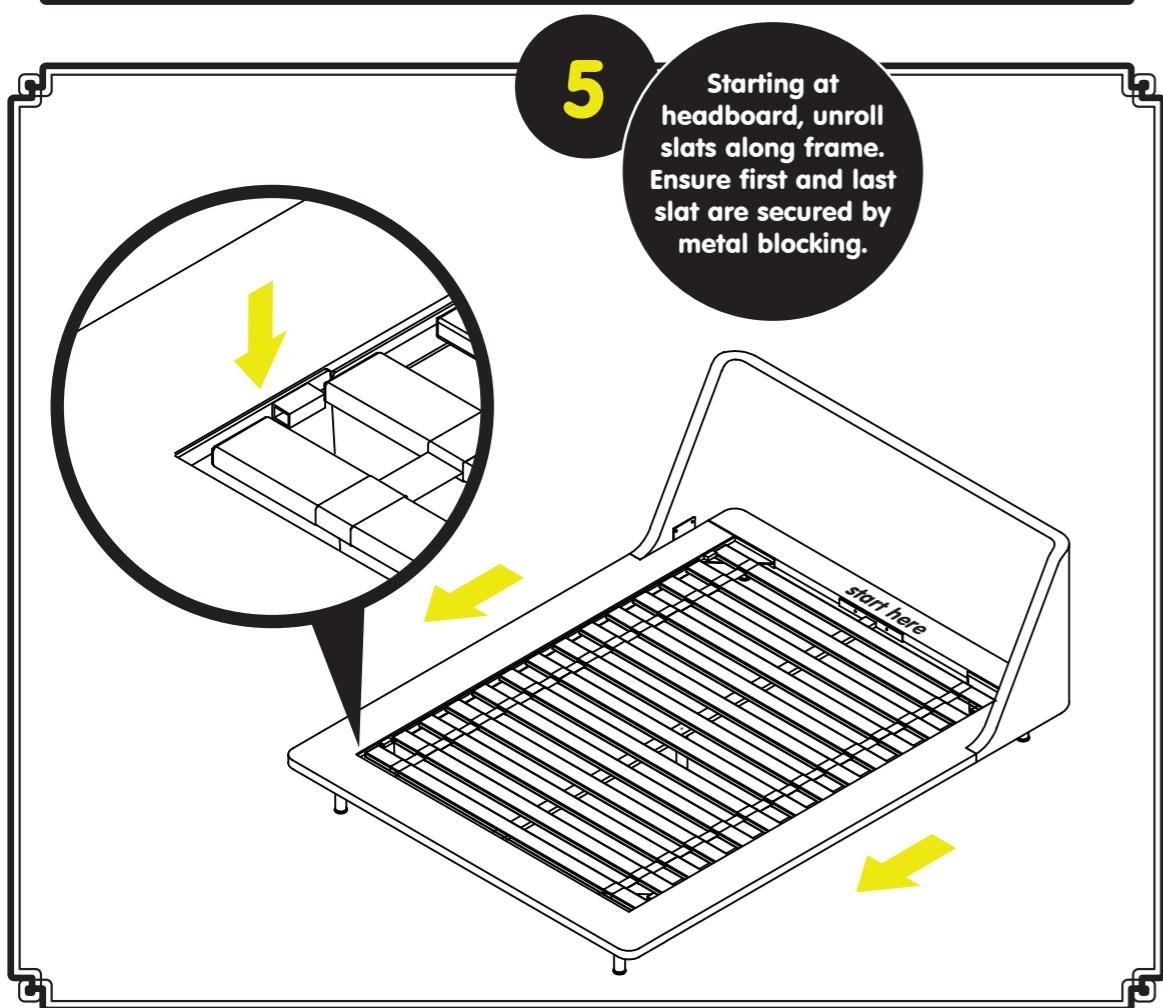
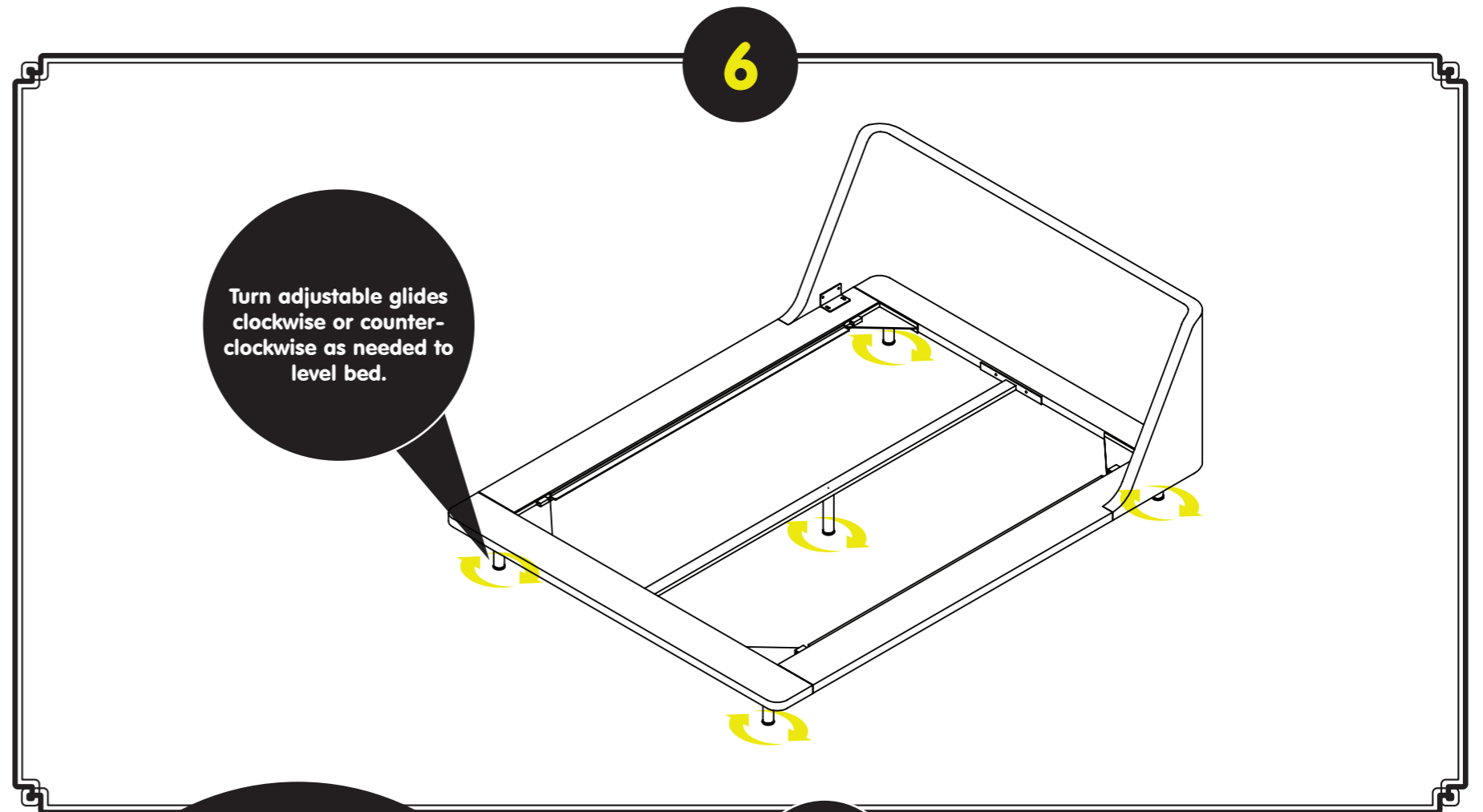
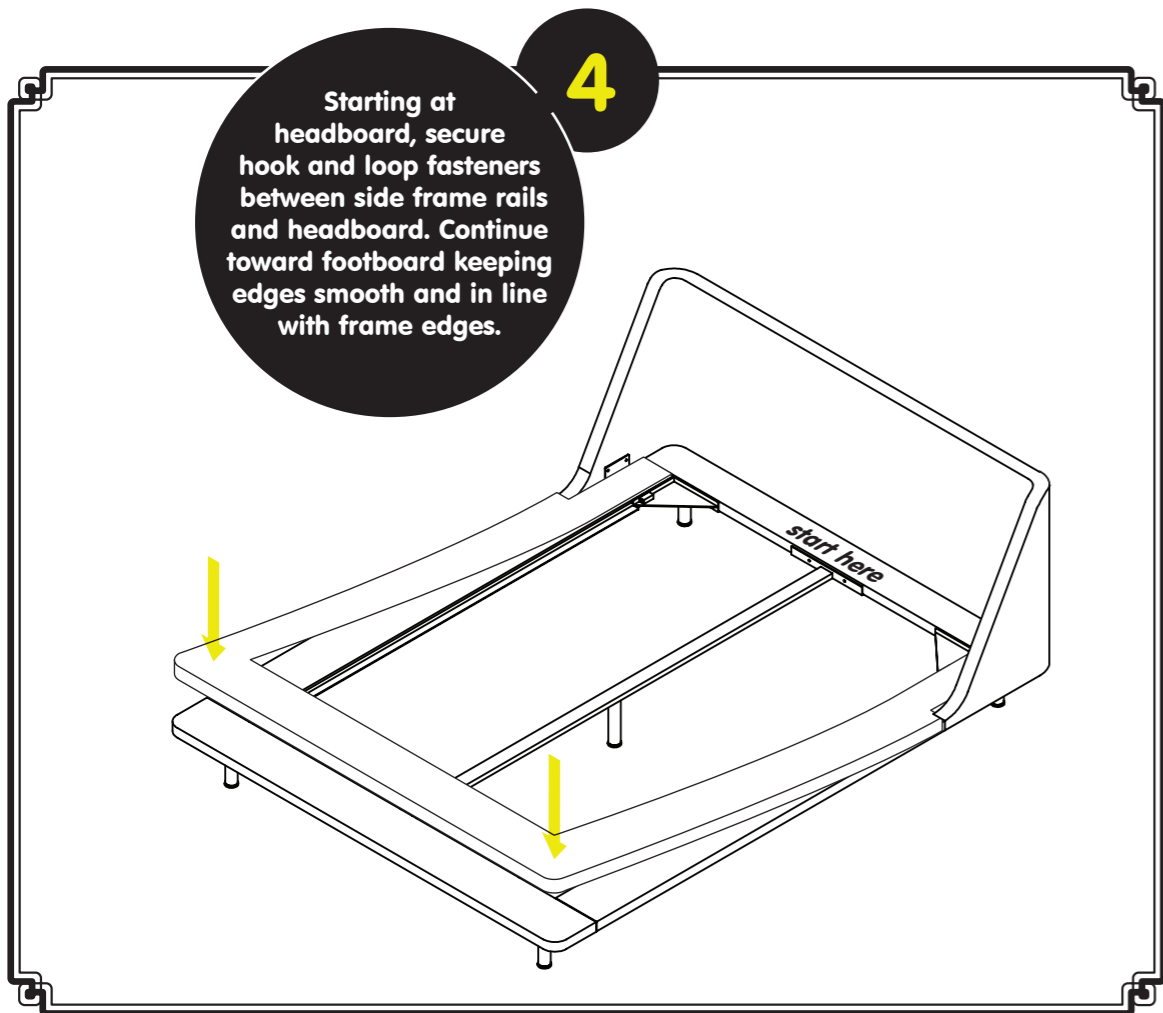
## HARDWARE



## PARTS







## UPHOLSTERY & FELT CARE

**KEEP IT CLEAN, JIMMY!**

**CLEAN**

Vacuum your upholstery regularly.

**AVOID**

Keep upholstery & felt furniture out of direct sunlight and away from heat sources; excessive exposure to sunlight may fade the color of the upholstery. Avoid placing heavy or sharp objects on the furniture surface for long periods of time; this can cause permanent indentations in the fabric. For snags in the fabric, tuck loose threads into fabric or carefully push to reverse side. Never pull out or cut off loose threads.

**SPILLS**

Act quickly with spills. Absorb the spill with a clean white cloth or paper towel. Never rub the surface. Do not use water or other liquids to clean, as they may stain the fabric. Consult a commercial cleaning specialist for removal of stubborn stains.