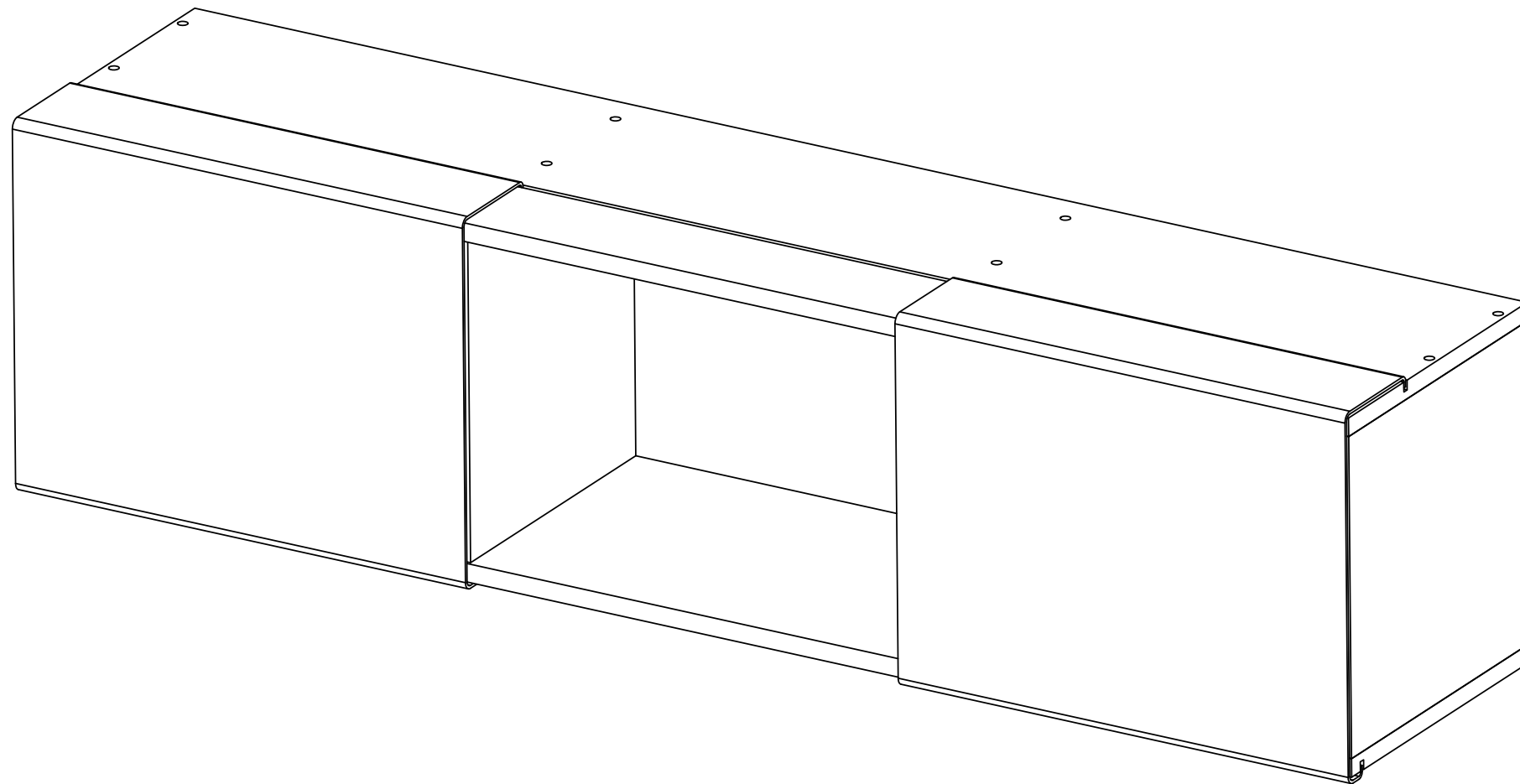


LAXseries

by: VASHstudios

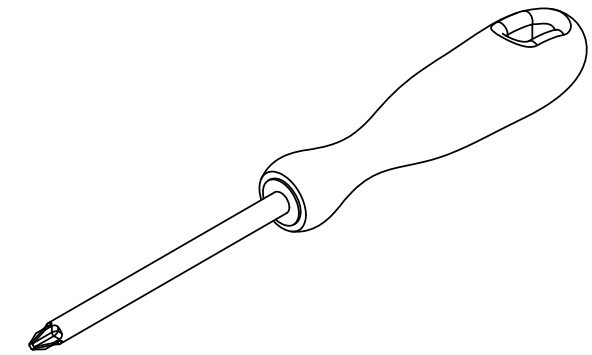
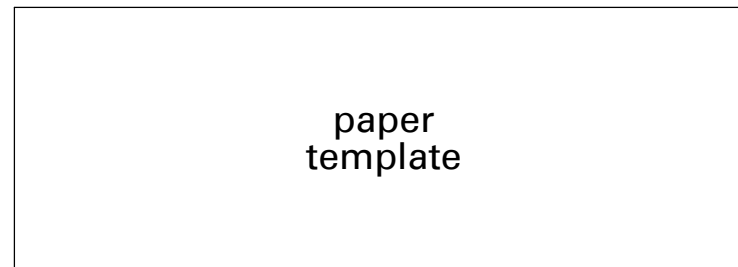
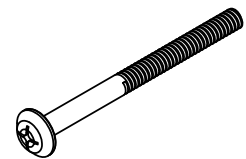
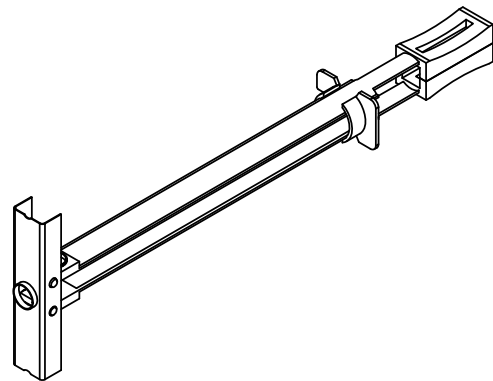
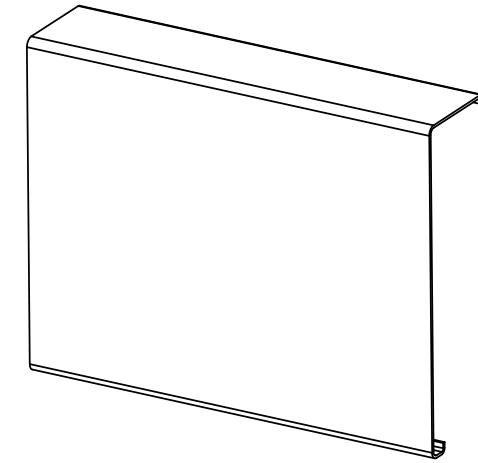
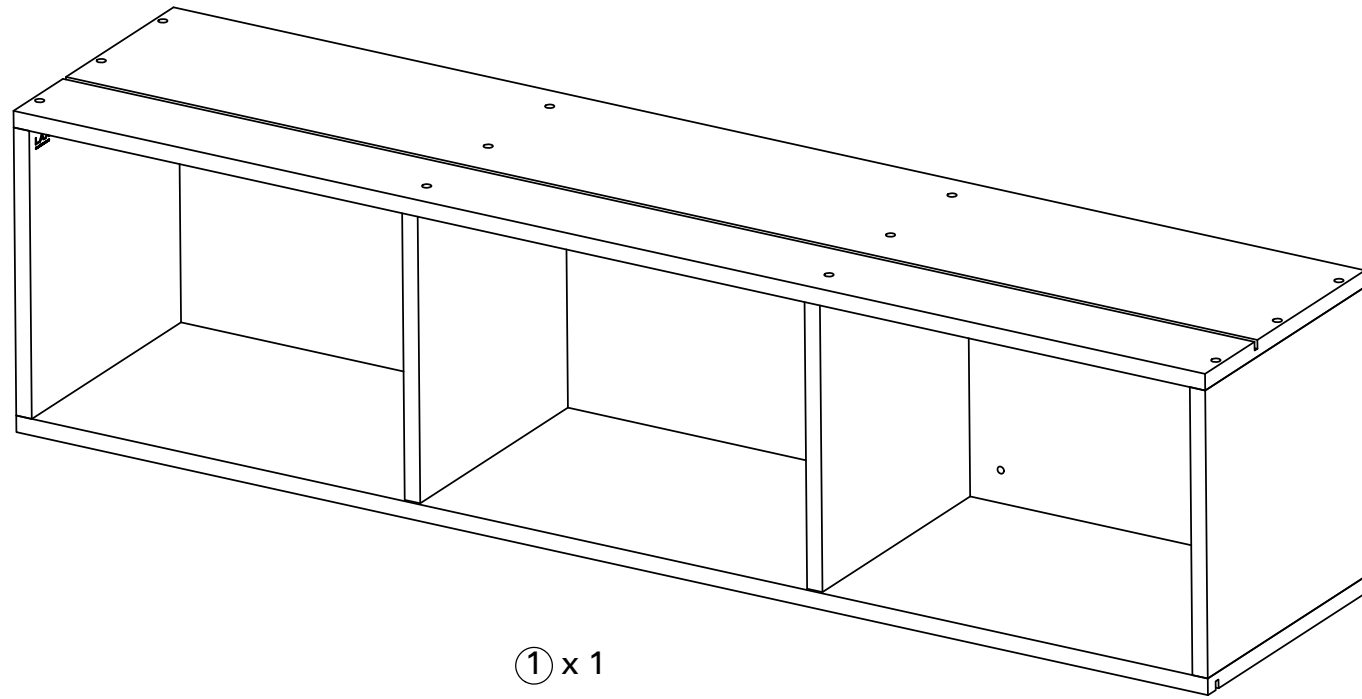
3X Shelf - Wall Mount
Assembly Instructions



LAX series

by: VASHstudios

3X Shelf - Wall Mount
Parts List



phillips screwdriver
(not included)

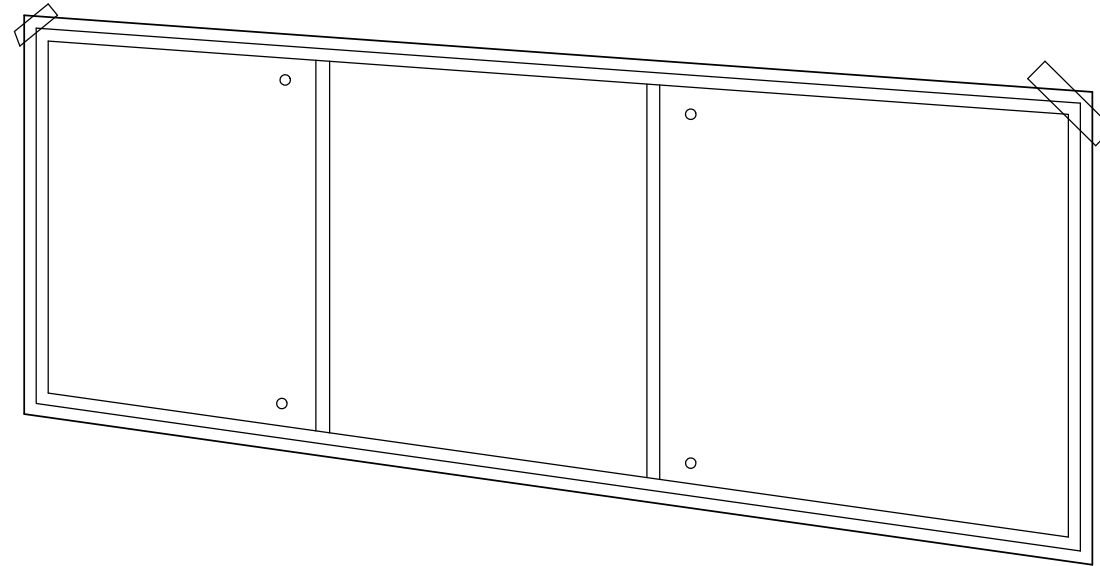
STEP 1

Use supplied template to locate the placement of 3X Shelf. Check to ensure template is level and flat. Drill a 1/2" hole at the four indicated places; avoid drilling into studs.

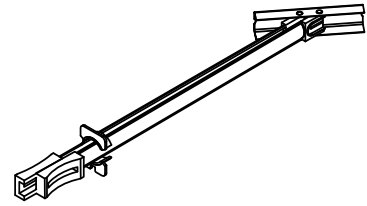
Remove template.

paper
template

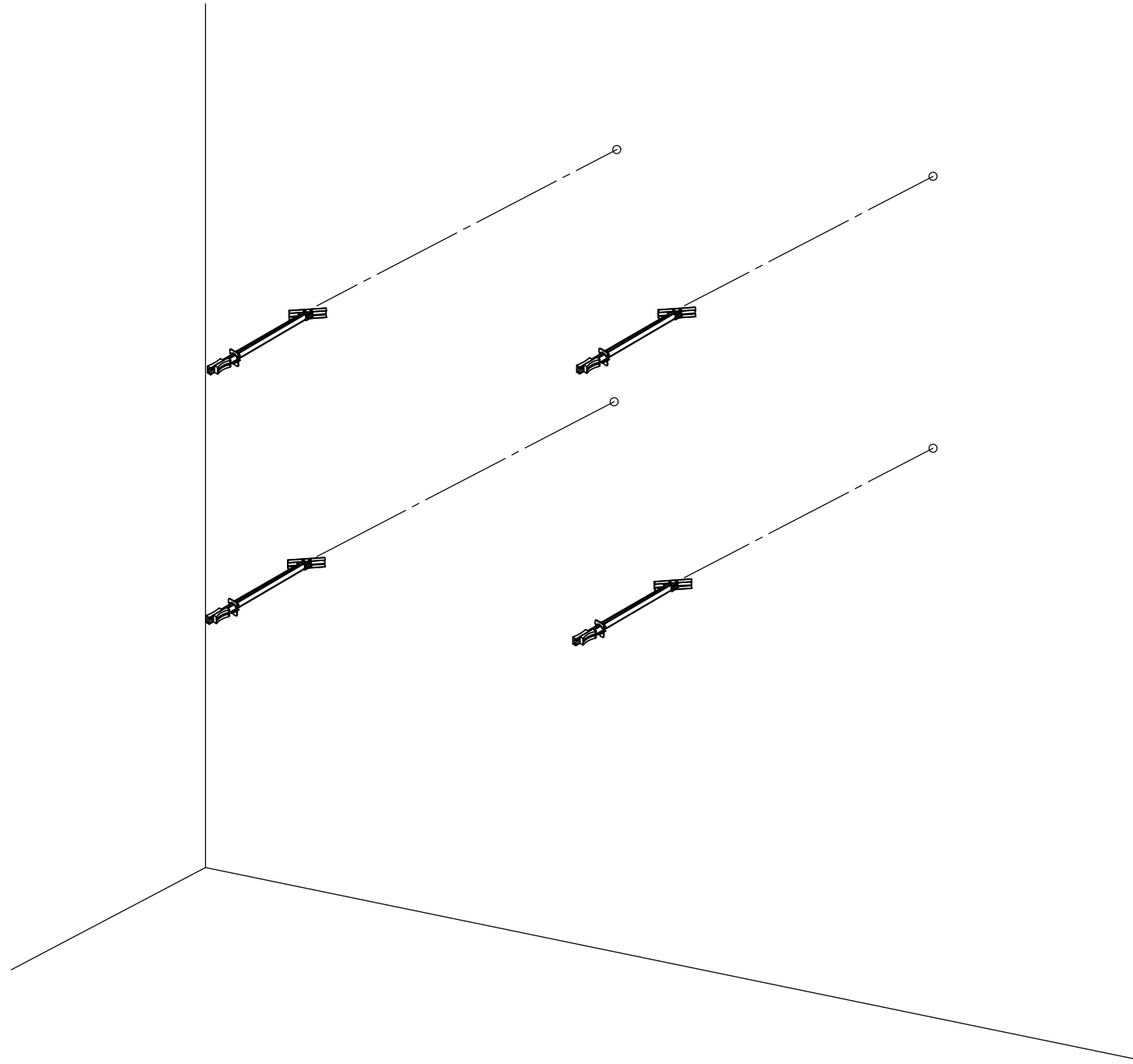
Ⓢ x 1



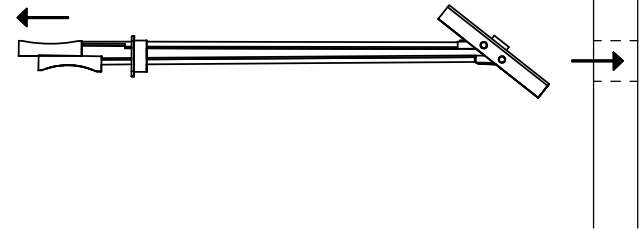
STEP 2



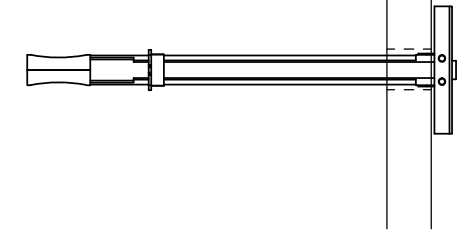
A x 4



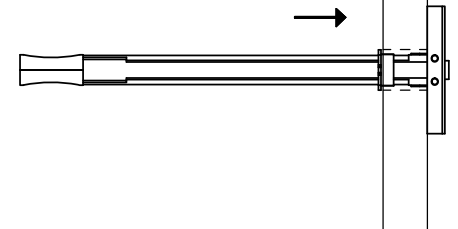
rotate toggle,
push through drilled holes



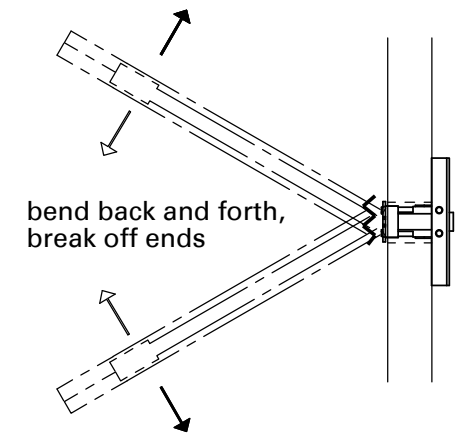
rotate back, pull tight
against wall



slide cap against wall

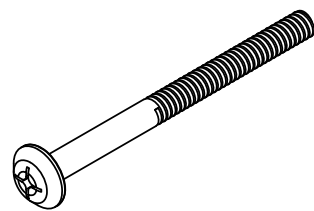


bend back and forth,
break off ends

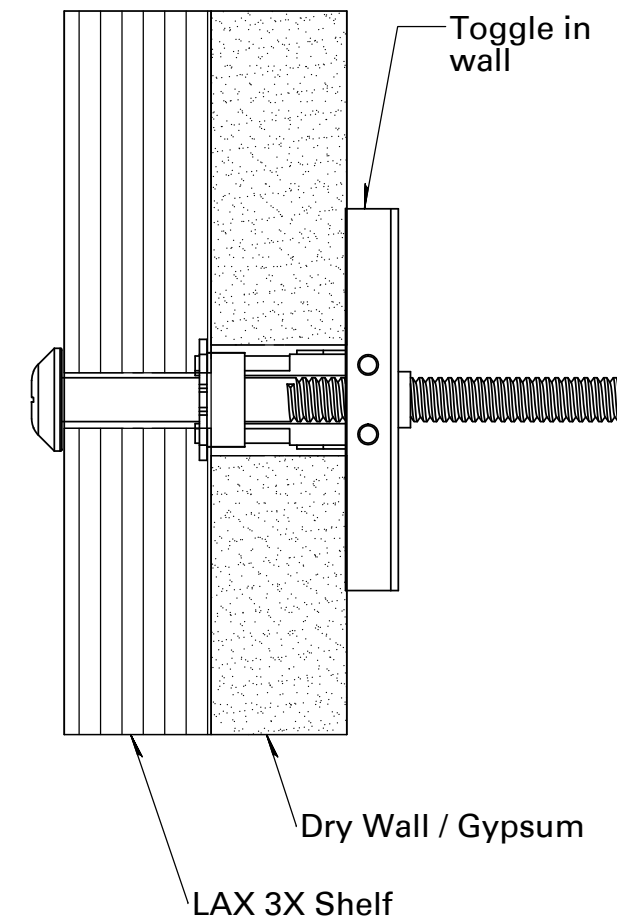
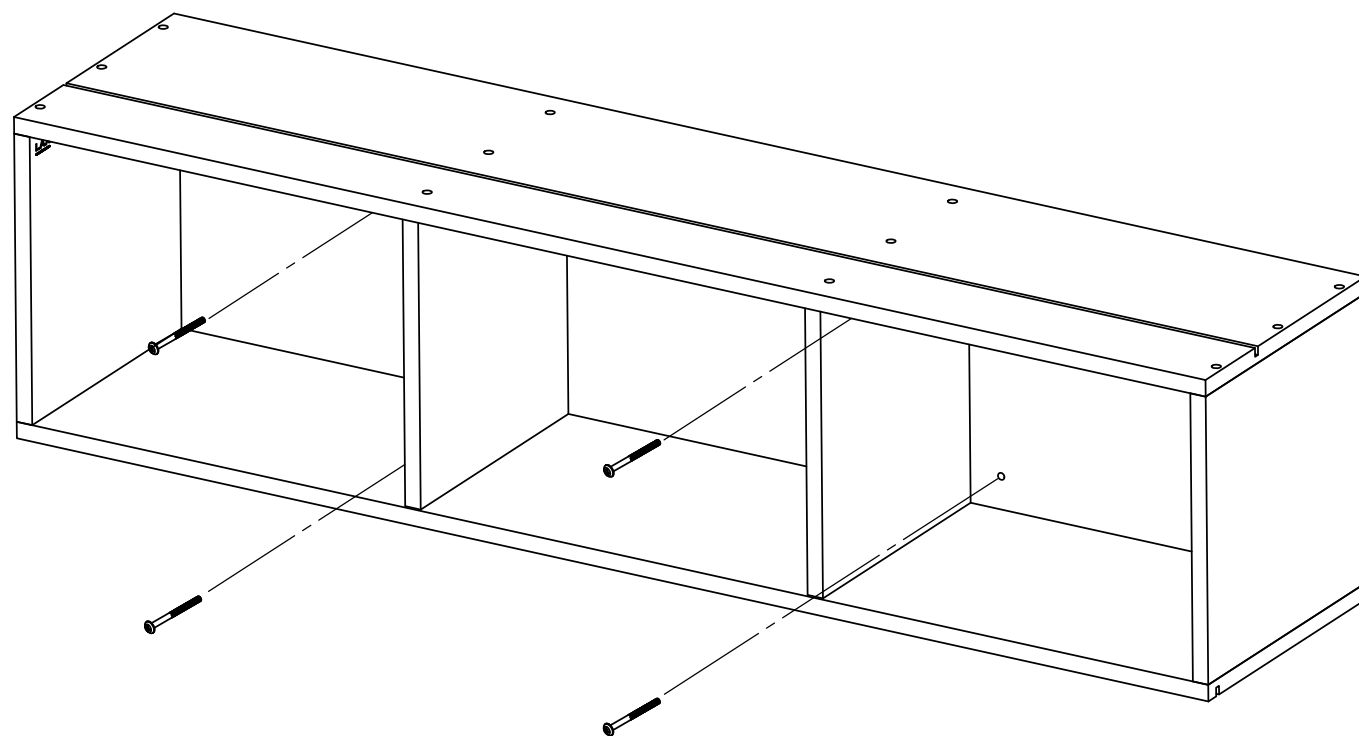


STEP 3

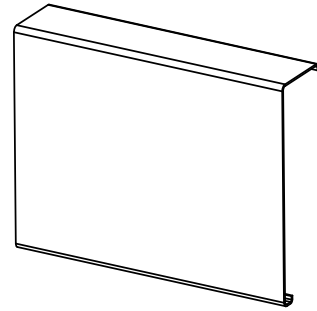
Have a friend hold the Shelf while the four **B** snap toggle bolts are installed.



B x 4



STEP 4



② x 2

